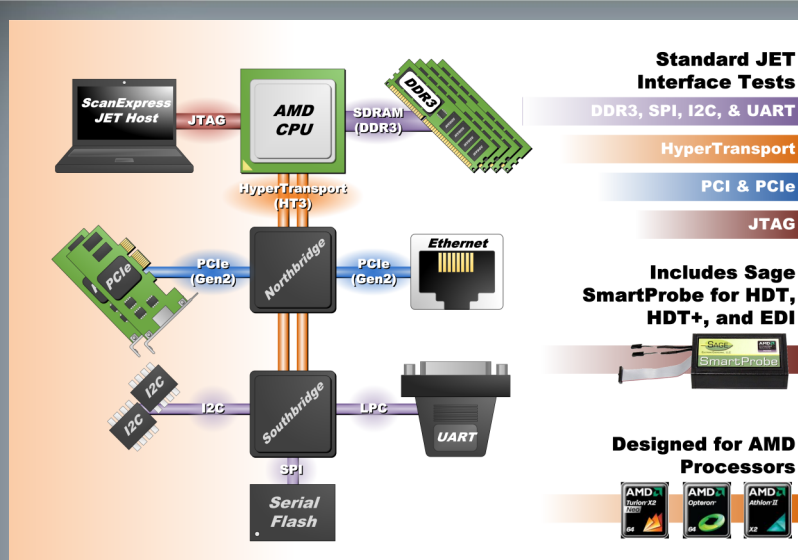


# AMD CPU Support

For ScanExpress JET™

**CORELIS**  
An *EWA* Company

Preferred Functional Test Solutions—Acclaimed Technical Support



## Standard JET Interface Tests

DDR3, SPI, I2C, & UART

HyperTransport

PCI & PCIe

JTAG

Includes Sage SmartProbe for HDT, HDT+, and EDI

Designed for AMD Processors



Cutting edge, high speed interface technologies such as HyperTransport pose unique problems for testing: external probe access has all but vanished and traditional test techniques leave ambiguity between the hardware and software layers—producing gaps in the verification process and enforcing doubt about the root cause of failures.

AMD support for Corelis ScanExpress JET empowers engineers to comprehensively test CPU and chipset interfaces at speed and without requiring boot code. Detect hardware faults early and unequivocally with JET—no software development required.

## Ordering Information

### JET Family Support Packages

- **Part Number - 38010** AMD Turion II Neo Dual-Core, Athlon II Neo Dual Core (ASB2 BGA).
- **Part Number - 38020** AMD Opteron 4100 Series (Socket C32).
- **Part Number - 38030** AMD Quad-Core AMD Opteron (Socket F).

### ScanExpress Runner with Smartprobe Package

- **Part Number - 30650** ScanExpress Runner with Sage SmartProbe bundle.

Each Family Support or ScanExpress Runner Package includes a SmartProbe with HDT, HDT+, and EDI adapters.

### ScanExpress JET Development System

- **Part Number - 20700** ScanExpress JET Test Development System supporting Test Program Generation and Execution.

Note: At least one CPU support package must be purchased with the ScanExpress JET Test Development System.

## Standard Tests

AMD CPU Support for ScanExpress JET includes automatic test generation for commonly used peripherals.

- **CPU Initialization**—Test basic CPU communication and functions.
- **HyperTransport**—Test processor and IO device HyperTransport links for successful link training.
- **SDRAM**—Execute a full suite of at-speed SDRAM tests to catch hard-to-find faults.
- **Flash**—Test and program Flash using maximum CPU clock speed.
- **I<sup>2</sup>C Discovery**—Scan the I<sup>2</sup>C bus to identify and communicate with connected devices.
- **PCIe**—Setup and detect Gen2 PCIe devices.
- **UART Loopback**—Verify UART communication via a simple loopback cable.
- **Ethernet Loopback**—Test Ethernet functions using a simple loopback cable.

## Custom Tests

- The ScanExpress JET development system includes a powerful scripting language and integrated script debugger; write your own tests or load compiled code right from the JET integrated development environment.

For more information about this product, visit the ScanExpress JET website at <http://www.corelis.com/JET>.

## CORELIS

13100 Alondra Blvd.  
Cerritos, CA 90703, USA  
Phone: +1 888-808-2380 (US & Canada)  
Phone: +1 562-926-6727 (International)  
Fax: +1 562-404-6196  
[www.corelis.com](http://www.corelis.com)

**Learn More:** For more information about Corelis products, please visit [www.corelis.com](http://www.corelis.com)

ScanExpress JET™ is a trademark of Corelis, Inc.  
All other product or service names are the property of their respective owners.  
© Copyright Corelis Inc. 2011. All rights reserved.  
Corelis, Inc., reserves the right to make changes in design or specification at any time and without notice.  
38010-DS VERSION 1.2 - 10/21/2011

