

SB-USB TMS320C54xx, TMS320C6xxx, and DSP56xxx Universal Serial Bus JTAG / OnCE Emulator



Features

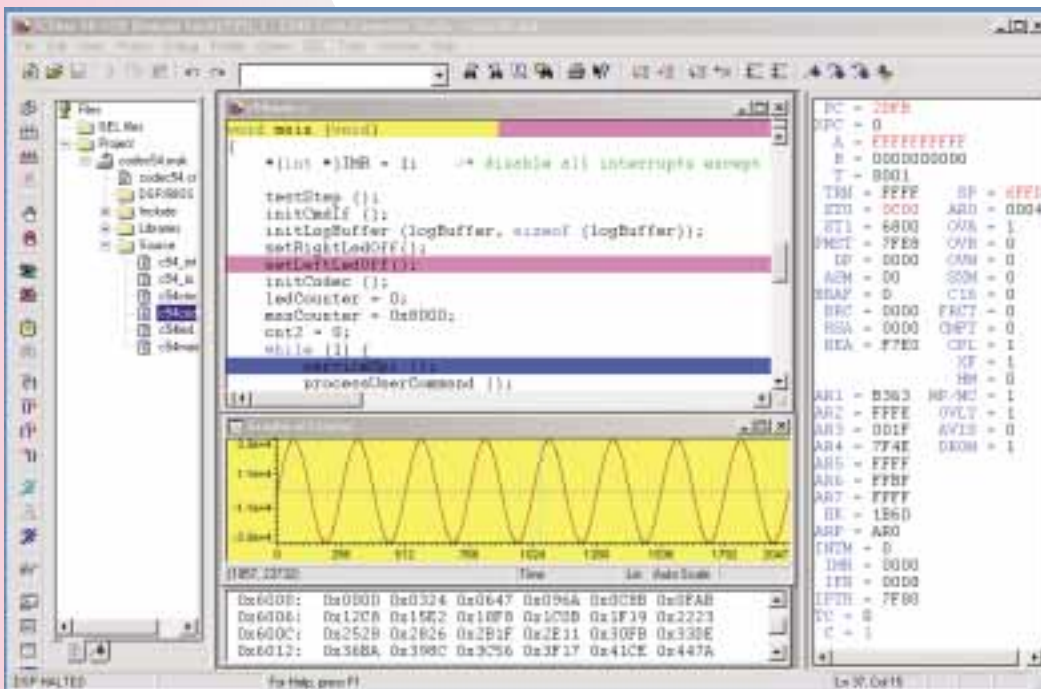
- ◆ Supports the Texas Instruments TMS320C54xx, TMS320C6xxx, and Motorola DSP56xxx family Digital Signal Processors.
- ◆ USB connection to the host PC, and JTAG connection to one or more target DSPs.
- ◆ OnCE connection to one or two DSP560xx.
- ◆ Seamless operation with both TI's Code Composer Studio and Domain Technologies BoxView™ high level language debugger.
- ◆ Customizable DSP-based emulation system comprises a 100 MHz TMS320C5410, 128k words external flash memory, QuickLogic FPGA, embedded code for USB interface and embedded code for JTAG interface.
- ◆ Timing section includes dual 16-bit programmable event counter/timers capable of 40ns resolution for precision benchmarking.
- ◆ Optional BoxServer™ software allows remote debugging of one or more target DSPs via TCP/IP connection.
- ◆ Support for JTAG Boundary Scan monitoring and testing.



General Description

The SB-USB is designed to support software development and debugging of Texas Instruments TMS320C54xx, TMS320C6xxx, and Motorola DSP56xxx family DSPs via a host PC or notebook computer's universal serial port.

The main advantages of the Domain Technologies SB-USB JTAG emulator include USB connectivity, versatility as both a JTAG and OnCE port emulator, small size and the ability to optionally debug multiple target DSPs via the SB-USB's JTAG or OnCE interface and do it remotely via a TCP/IP connection.



SB-USB operates seamlessly with TI's Code Composer Studio

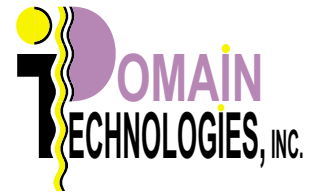
For more information or to arrange a free 30-day evaluation, contact:

Domain Technologies, Inc.
Attn: Sales
1700 Alma Drive, Ste. 495
Plano, TX 75075, USA

Tel: (972) 578-1121
Fax: (972) 578-1086

info@domaintec.com
<http://www.domaintec.com>

SB-USB TMS320C54xx, TMS320C6xxx, and DSP56xxx Universal Serial Bus JTAG / OnCE Emulator



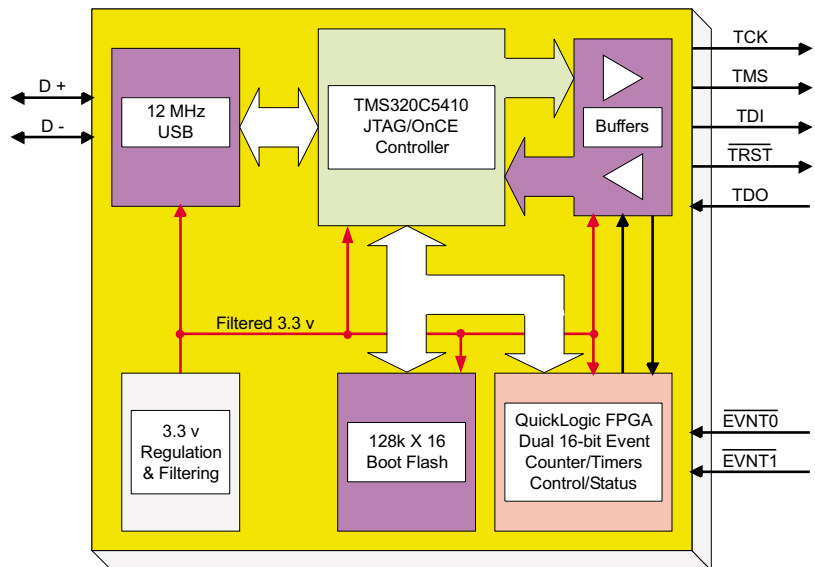
Ordering Information

Texas Instruments 'C54x DSPs

- SB-USB-TMS
Includes emulator only with no debugger software.
- SB-USB-CC5
Includes emulator and Code Composer Studio 5000.
- SB-USB-CC6
Includes emulator and Code Composer Studio 6000.

Motorola DSP56xxx DSPs

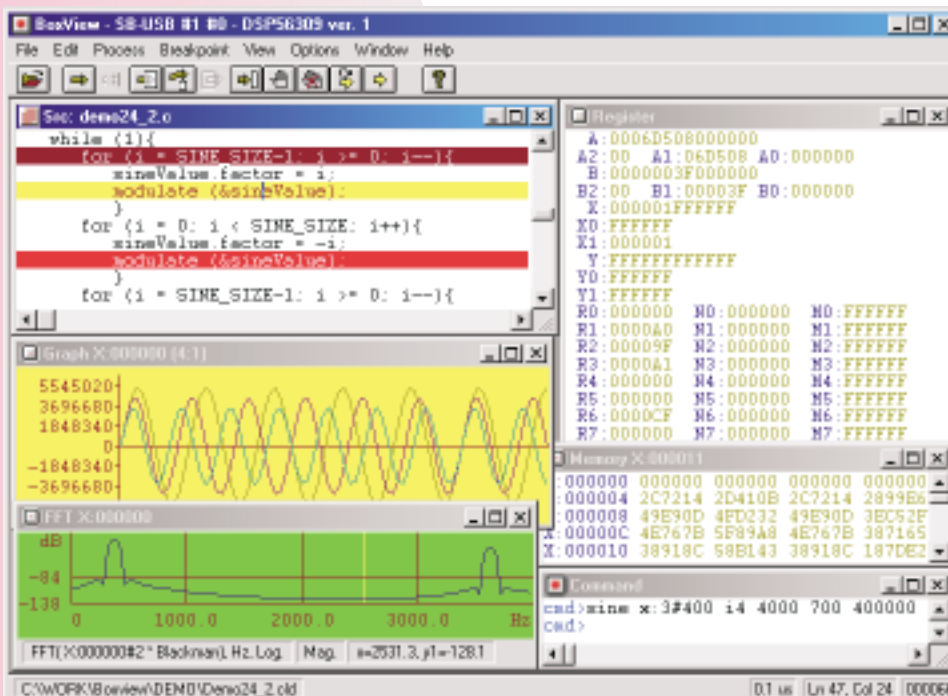
- SB-USB-LE
Single user, single target, includes BoxView HLL debugger software.
- SB-USB-LOC
Single user, multiple targets, includes BoxView HLL debugger software.
- SB-USB-1RU
Single user, multiple targets, remote access via TCP/IP connection, includes BoxView HLL debugger software.
- SB-USB-2RU
Same as above except multiple users



SB-USB Block Diagram in JTAG Configuration

Supported devices include:

- Texas Instruments TMS320C54xx
- Texas Instruments TMS320C6xxx
- Motorola DSP560xx
- Motorola DSP561xx
- Motorola DSP563xx
- Motorola DSP568xx



BoxView™ High Level Language Debugger for Motorola DSP56xxx.

Appearing on the front and back of this data sheet are trademarks and registered trademarks which are the property of their respective owners. Copyright © 2001, Domain Technologies, Inc. All rights reserved. BoxView and BoxServer are trademarks of Domain Technologies, Inc.

For more information or to arrange a free 30-day evaluation, contact:

Domain Technologies, Inc.
Attn: Sales
811 East Plano Pkwy, Ste 115
Plano, TX 75074, USA

Tel: (972) 578-1121
Fax: (972) 578-1086

info@domaintec.com
<http://www.domaintec.com>

UNIVERSAL SERIAL BUS JTAG/ONCE EMULATOR

PRODUCT BRIEF