

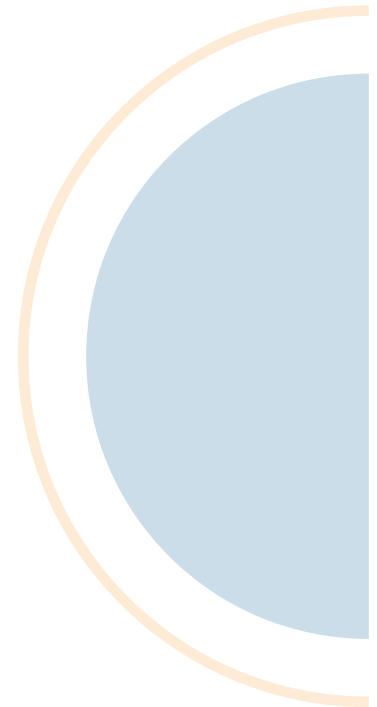
The EP405PC computing engine takes advantage of the high performance capabilities of the AMCC PowerPC 405GP and 405GPr processors.

By integrating all of the features of this processor onto a single board, the computing engine reduces Time-To-Market and increases product reliability.

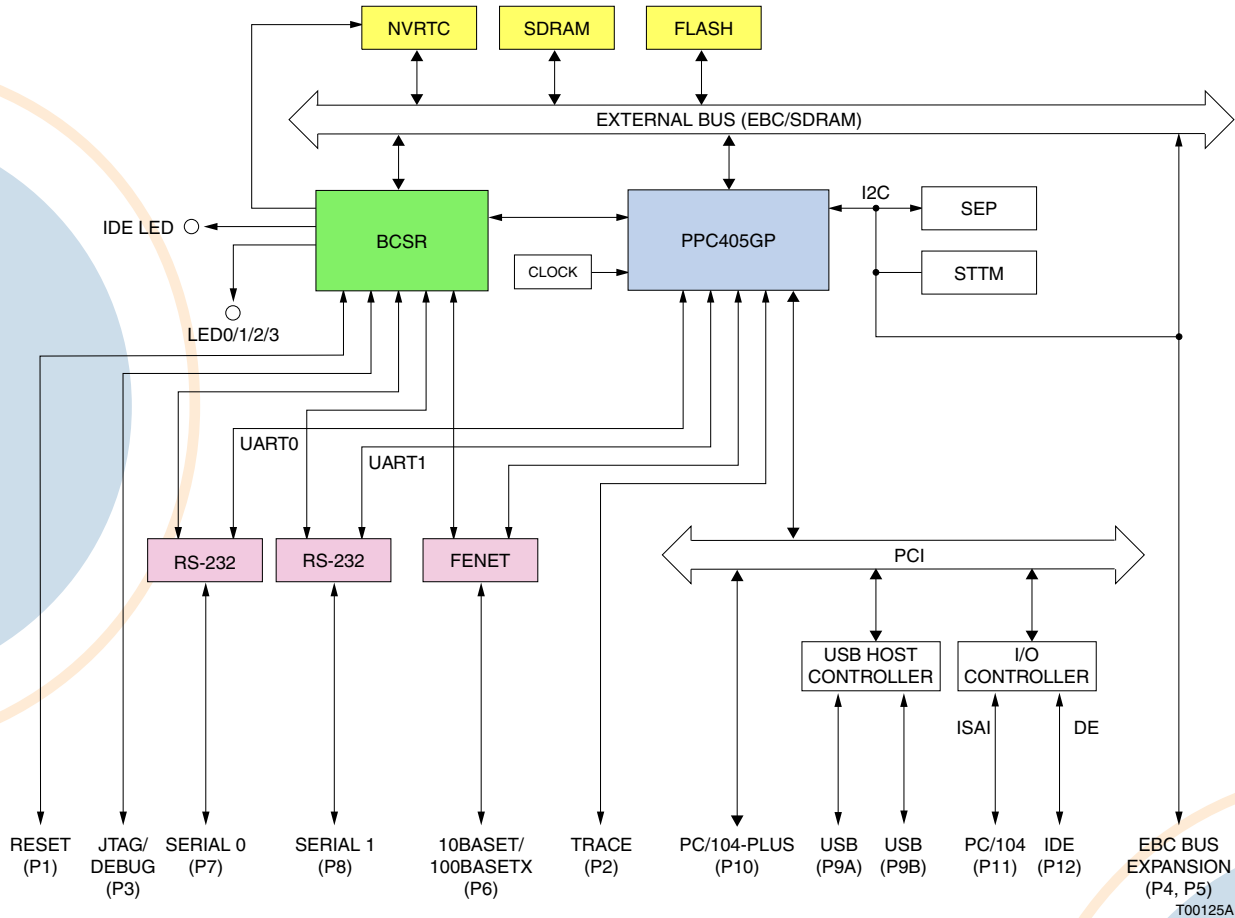
Scaleable in size and flexible in configuration, they provide a production-ready platform for tomorrow's networks. The board is PC/104 mechanical sized with standard PCI and ISA bus connectors.

### Feature Summary:

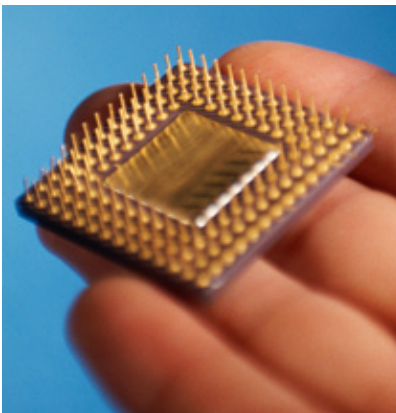
Specification:	Description:
Processor:	AMCC 405GP and 405GPr processors
Memory:	RAM: Up to 128MB with ECC FLASH: Up to 32MB NVRAM: Up to 512Kb with Real Time Clock
Ethernet:	1 x 10/100 with RJ-45 connector
Serial Ports:	2 x RS-232
Expansion:	PC/104+ PCI and ISA bus and EBC Connector
I2C Devices:	EEPROM, Temperature Sensor
Debug:	JTAG RISCWatch & RISCTrace Support
Power Supply:	5V wall cube supply



## Hardware Block Diagram



## Let Us Do The Heavy Lifting



- Embedded Planet offers a complete set of software and hardware services to go along with our Off-the-Shelf solutions.
- Embedded Planet has extensive experience with embedded operating systems and firmware. Our stock configurations of operating systems and firmware can be customized to meet your particular needs.
- We can alleviate the headaches associated with volume production of embedded systems. Your product is delivered 100% tested from an ISO-9002 certified manufacturing facility.
- Our capabilities are available on a project basis to design custom solutions specifically tailored to your application.
- Contact Embedded Planet to find out how we can accelerate your project.